

Table of Content

Heat Sink Casing..... 4

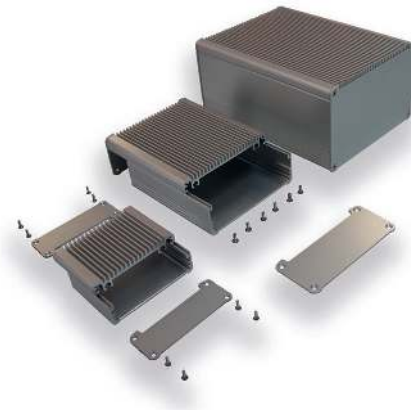
19” and Desktop Heat Sink Enclosures..... 5

Casing Modules..... 9

Standard Design Casings.....21

Shell Casings..... 23

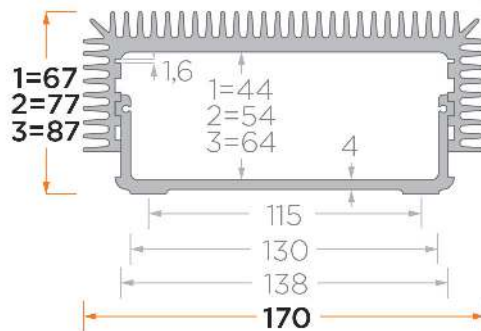
Other Casing Extrusions..... 25



Alutronic now offers an increased variety of standard casings for your electronics. Designed to protect your electronic solutions, these casings fit 19” environments or individual applications. We are dedicated to high visual quality and as with all other products from Alutronic, we are glad to realize any customisation you may require.

Heat Sink Casing WG 4291 - WG 4292 - WG 4293

- Robust profile casing made of AlMgSi 0.5 F 22 with integrated cooling fins
- Side wall with integrated guide grooves
- For holding non-standard components or Euro boards
- In 3 versions of height that can be pushed inside/outside
 - WG 4291 = 44 mm 67 mm
 - WG 4292 = 54 mm 77 mm
 - WG 4293 = 64 mm 87 mm
- Integrated core holes for threaded bore holes \varnothing 3,1 mm
- With matching front plates on request, M4 threaded bore holes and countersunk screws
- Supplied as disassembled kit
- Special dimensions, machining and surfaces on request



Aluminum 19" enclosure

Enclosure at 444mm width for 19" installations. Heat energy from enclosed electronics can be dissipated by heat sink sidings.

All surfaces of this enclosure are anodised in clear color by default.

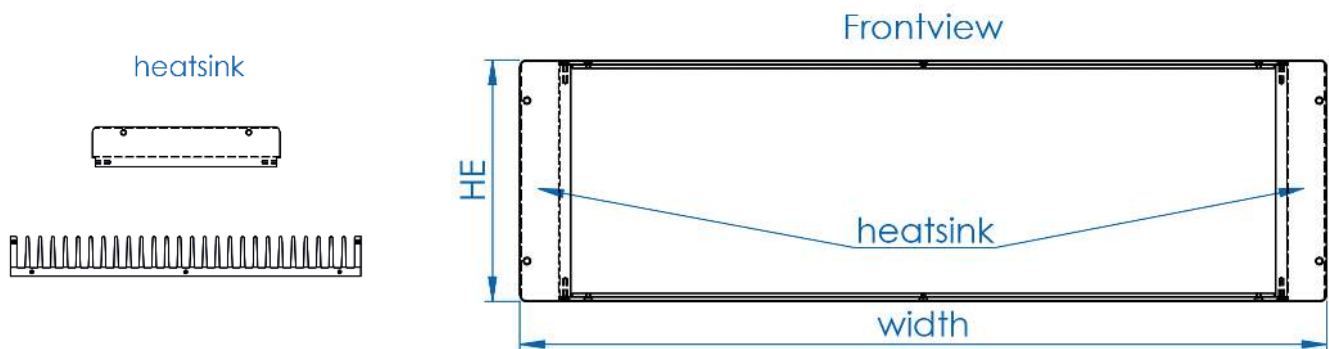
As always, we offer a wide range of other customisation upon request, such as anodisation color in black or blue color and machining.

Specifications of the front panels you will find on the following pages.

The standard delivery is as an assembly kit. Handles for the front panels can be added upon request.



article	height unit	depth inside [mm]	inside width [mm]	inside height [mm]
EG 1,0HE01NE	1 HE (43,6 mm)	247	388	39.4
EG 1,0HE02NE	1 HE (43,6 mm)	300	364	39.4
EG 1,0HE03NE	1 HE (43,6 mm)	494	388	39.4
EG 1,5HE01NE	1,5 HE (66,1 mm)	247	388	61.1
EG 1,5HE02NE	1,5 HE (66,1 mm)	300	364	61.1
EG 1,5HE03NE	1,5 HE (66,1 mm)	494	388	61.1
EG 2,0HE01NE	2 HE (88,4 mm)	247	388	84.2
EG 2,0HE02NE	2 HE (88,4 mm)	300	364	84.2
EG 2,0HE03NE	2 HE (88,4 mm)	494	388	84.2
EG 3,0HE01NE	3 HE (133 mm)	247	388	128.8
EG 3,0HE02NE	3 HE (133 mm)	300	364	128.8
EG 3,0HE03NE	3 HE (133 mm)	494	388	128.8



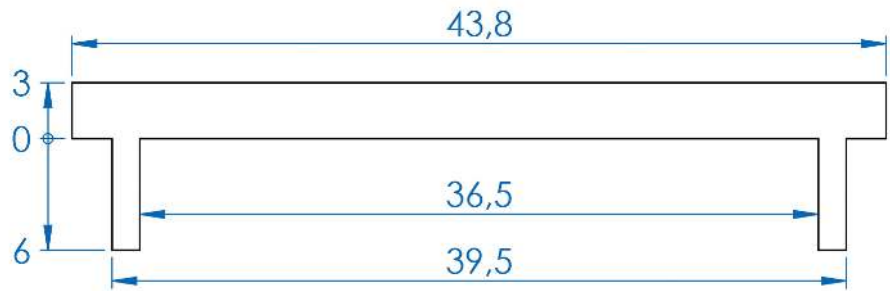
Aluminum desktop enclosure.

Heat energy from enclosed electronics can be dissipated by heat sink sidings. All surfaces of this enclosure are anodised in clear color. As always, we offer a wide range of other customisation upon request, such as anodisation color in black or blue color and machining. Specifications on the front panels you will find on the following pages. The standard delivery is as an assembly kit. Handles for the front panels can be added upon request.

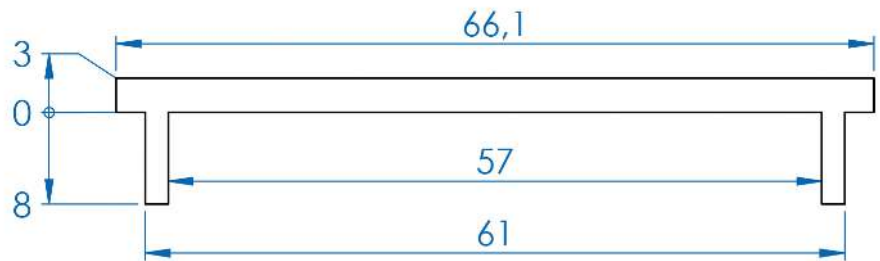


article	height unit	width [mm]	depth inside [mm]	inside widht [mm]	inside height [mm]
EG 1,0HE04NE	1 HE (43,6 mm)	444	247	388	39.4
EG 1,0HE05NE	1 HE (43,6 mm)	444	300	364	39.4
EG 1,0HE06NE	1 HE (43,6 mm)	444	494	388	39.4
EG 1,0HE07NE	1 HE (43,6 mm)	221.5	247	165.5	39.4
EG 1,0HE08NE	1 HE (43,6 mm)	221.5	494	165.5	39.4
EG 1,0HE09NE	1 HE (43,6 mm)	295.6	247	239.6	39.4
EG 1,0HE10NE	1 HE (43,6 mm)	295.6	300	215.6	39.4
EG 1,0HE11NE	1 HE (43,6 mm)	295.6	494	239.6	39.4
EG 1,5HE04NE	1,5 HE (66,1 mm)	444	247	388	61.1
EG 1,5HE05NE	1,5 HE (66,1 mm)	444	300	364	61.1
EG 1,5HE06NE	1,5 HE (66,1 mm)	444	494	388	61.1
EG 1,5HE07NE	1,5 HE (66,1 mm)	221.5	247	165.5	61.1
EG 1,5HE08NE	1,5 HE (66,1 mm)	221.5	494	165.5	61.1
EG 1,5HE09NE	1,5 HE (66,1 mm)	295.6	247	239.6	61.1
EG 1,5HE10NE	1,5 HE (66,1 mm)	295.6	300	215.6	61.1
EG 1,5HE11NE	1,5 HE (66,1 mm)	295.6	494	239.6	61.1
EG 2,0HE04NE	2 HE (88,4 mm)	444	247	388	84.2
EG 2,0HE05NE	2 HE (88,4 mm)	444	300	364	84.2
EG 2,0HE06NE	2 HE (88,4 mm)	444	494	388	84.2
EG 2,0HE07NE	2 HE (88,4 mm)	221.5	247	165.5	84.2
EG 2,0HE08NE	2 HE (88,4 mm)	221.5	494	165.5	84.2
EG 2,0HE09NE	2 HE (88,4 mm)	295.6	247	239.6	84.2
EG 2,0HE10NE	2 HE (88,4 mm)	295.6	300	215.6	84.2
EG 2,0HE11NE	2 HE (88,4 mm)	295.6	494	239.6	84.2
EG 3,0HE04NE	3 HE (133 mm)	444	247	388	128.8
EG 3,0HE05NE	3 HE (133 mm)	444	300	364	128.8
EG 3,0HE06NE	3 HE (133 mm)	444	494	388	128.8
EG 3,0HE07NE	3 HE (133 mm)	221.5	247	165.5	128.8
EG 3,0HE08NE	3 HE (133 mm)	221.5	494	165.5	128.8
EG 3,0HE09NE	3 HE (133 mm)	295.6	247	239.6	128.8
EG 3,0HE10NE	3 HE (133 mm)	295.6	300	215.6	128.8
EG 3,0HE11NE	3 HE (133 mm)	295.6	494	239.6	128.8

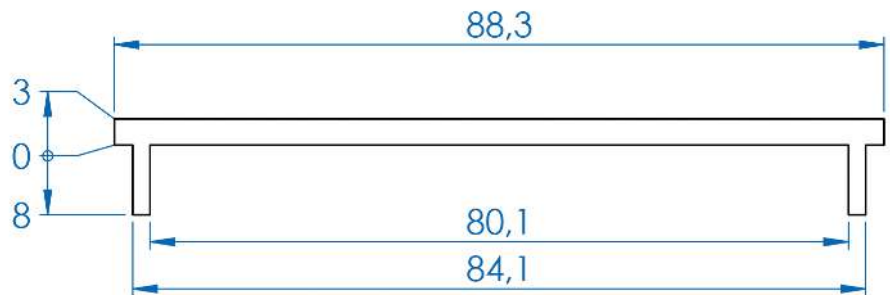
Front panel 1.0 HE



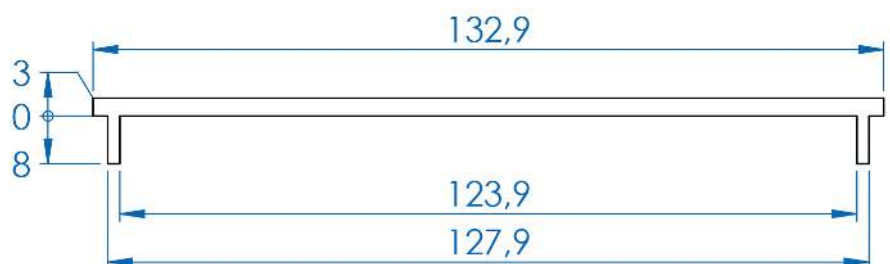
Front panel 1.5 HE



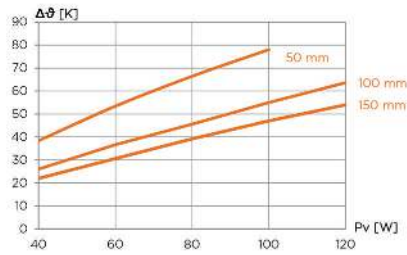
Front panel 2.0 HE



Front panel 3.0 HE (handles on request)

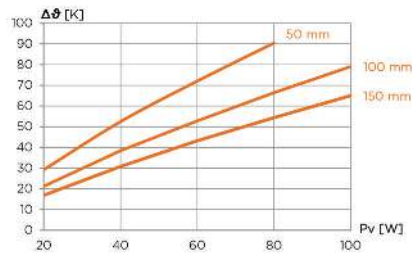


Heat sink for enclosure inside length of 300mm



Pv [W]	RthK [K/W]		
	50	100	150
40	0,96	0,65	0,55
60	0,89	0,61	0,51
80	0,83	0,57	0,49
100	0,78	0,55	0,47
120		0,53	0,45
mm	50	100	150
kg/m	15,45		

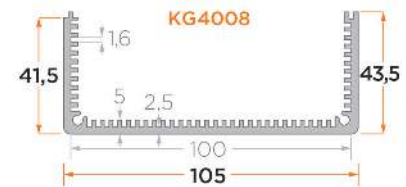
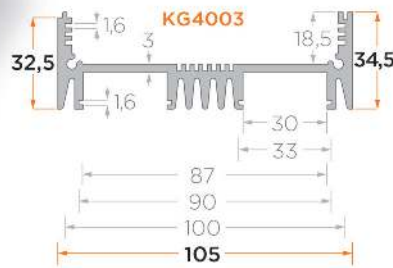
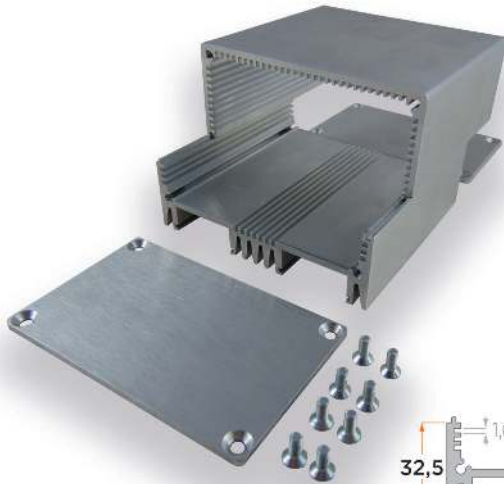
Heat sink for enclosure inside length of 247mm - 496mm



Pv [W]	RthK [K/W]		
	50	100	150
20	1,46	1,06	0,84
40	1,31	0,96	0,77
60	1,20	0,88	0,72
80	1,13	0,83	0,68
100		0,79	0,65
mm	50	100	150
kg/m	6,12		

Casing Modules KG 4003 - KG 4008 - KG4009

- Robust profile casing made from AlMgSi 0.5 F 22 with integrated cooling fins on the base
- Inside with integrated guiding grooves
- Integrated core holes for threaded bore holes \varnothing 3,7 mm
- for holding non-standard components or Euro pcb boards
- Supplied as disassembled kit
- on request with compatible front plates and installation materials
- Special dimensions, machining and surfaces on request



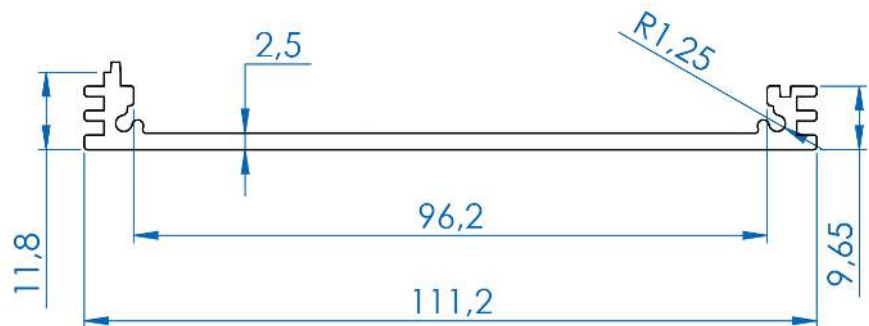
KG 5000

Standard casing for 100mm PCB Card.
Three extrusion profiles for individual configuration with matching front and back panel.
Delivery including screws.
Customised cuts and machining upon request. Customised prints possible.
We offer anodisation in clear, black and blue color.

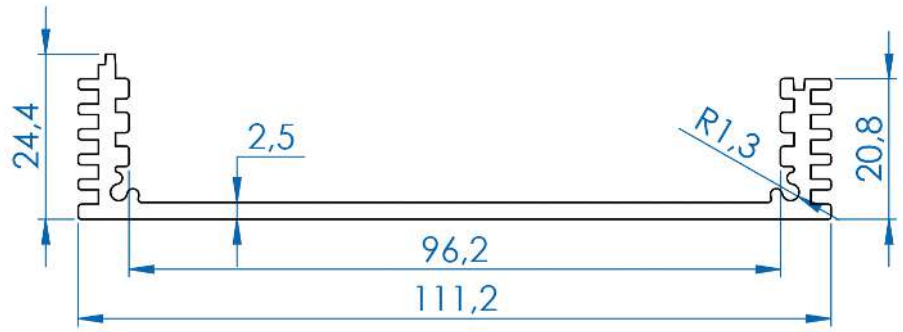


article	length [mm]	width [mm]	height [mm]	inside height [mm]	upper casing profile	lower casing profile
KG 5021-60-NE	60	112	21.9	16.4	KG 5001	KG 5001
KG 5021-120-NE	120	112	21.9	16.4	KG 5001	KG 5001
KG 5021-200-NE	200	112	21.9	16.4	KG 5001	KG 5001
KG 5033-60-NE	60	112	33	27.5	KG 5001	KG 5002
KG 5033-120-NE	120	112	33	27.5	KG 5001	KG 5002
KG 5033-200-NE	200	112	33	27.5	KG 5001	KG 5002
KG 5044-60-NE	60	112	44.1	38.6	KG 5002	KG 5002
KG 5044-120-NE	120	112	44.1	38.6	KG 5002	KG 5002
KG 5044-200-NE	200	112	44.1	38.6	KG 5002	KG 5002
KG 5055-60-NE	60	112	55.2	49.7	KG 5001	KG 5003
KG 5055-120-NE	120	112	55.2	49.7	KG 5001	KG 5003
KG 5055-200-NE	200	112	55.2	49.7	KG 5001	KG 5003
KG 5066-60-NE	60	112	66.3	60.8	KG 5002	KG 5003
KG 5066-120-NE	120	112	66.3	60.8	KG 5002	KG 5003
KG 5066-200-NE	200	112	66.3	60.8	KG 5002	KG 5003
KG 5088-60-NE	60	112	88.5	83	KG 5003	KG 5003
KG 5088-120-NE	120	112	88.5	83	KG 5003	KG 5003
KG 5088-200-NE	200	112	88.5	83	KG 5003	KG 5003

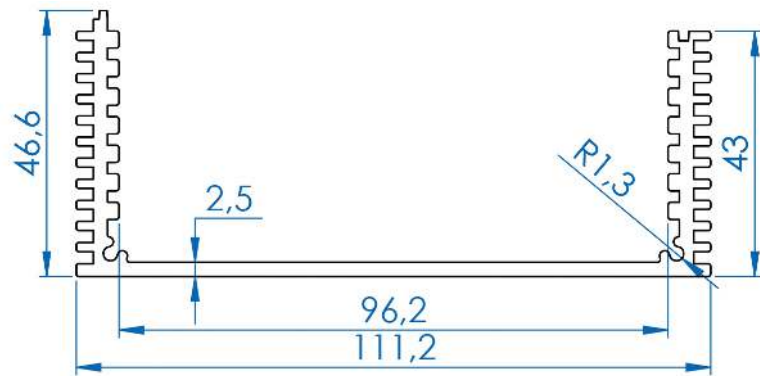
KG 5001



KG 5002



KG 5003



KG 5100

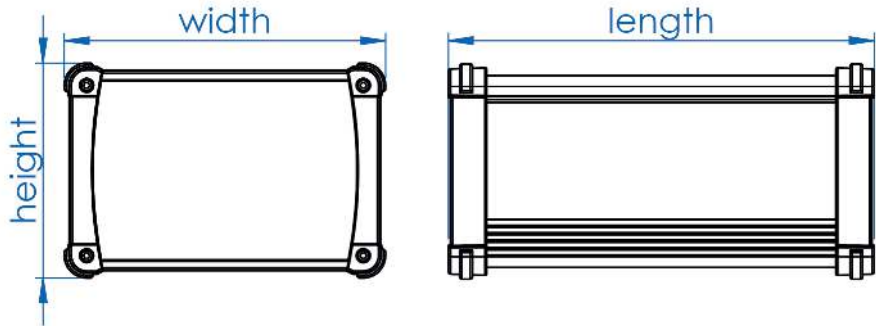
Aluminum casing with corner guard and protection class IP40.

Bottom and top casing as well a front and back panel from aluminum, anodised in clear, black or blue color.

Corner guard from polycarbonate UL94V-0 in colors black (SE), grey (GR), indigo (IN), navy (NA), lime (LI), yellow (GE), orange (OR) or red (RO).

Example for article naming: KG4101-60-SE-OR.

The standard delivery is as an assembly kit.



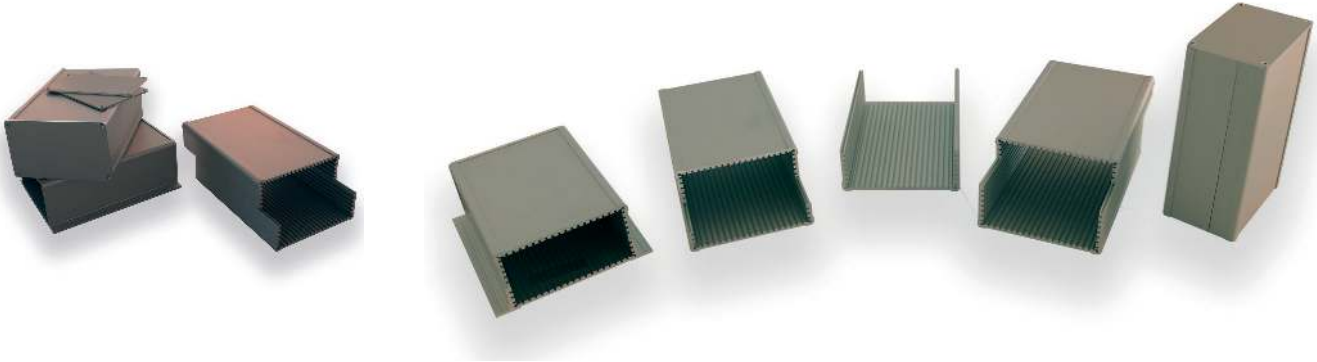
article	length [mm]	width [mm]	height [mm]
KG 5111-60-SE-OR	60	69	34
KG 5111-87-SE-OR	87	69	34
KG 5111-110-SE-OR	110	69	34
KG 5112-60-SE-OR	60	69	44
KG 5112-87-SE-OR	87	69	44
KG 5112-110-SE-OR	110	69	44
KG 5113-60-SE-OR	60	69	59
KG 5113-87-SE-OR	87	69	59
KG 5113-110-SE-OR	110	69	59
KG 5121-70-SE-OR	70	89	39
KG 5121-100-SE-OR	100	89	39
KG 5121-130-SE-OR	130	89	39
KG 5122-70-SE-OR	70	89	49
KG 5122-100-SE-OR	100	89	49
KG 5122-130-SE-OR	130	89	49
KG 5123-70-SE-OR	70	89	64
KG 5123-100-SE-OR	100	89	64
KG 5123-1130-SE-OR	130	89	64
KG 5131-90-SE-OR	90	116	41
KG 5131-130-SE-OR	130	116	41
KG 5131-176-SE-OR	176	116	41
KG 5132-90-SE-OR	90	116	56
KG 5132-130-SE-OR	130	116	56
KG 5132-176-SE-OR	176	116	56
KG 5133-90-SE-OR	90	116	71
KG 5133-130-SE-OR	130	116	71
KG 5133-176-SE-OR	176	116	71
KG 5141-110-SE-OR	110	151	46
KG 5141-150-SE-OR	150	151	46
KG 5141-200-SE-OR	200	151	46
KG 5142-110-SE-OR	110	151	61
KG 5142-150-SE-OR	150	151	61
KG 5142-200-SE-OR	200	151	61
KG 5143-110-SE-OR	110	151	81
KG 5143-150-SE-OR	150	151	81
KG 5143-200-SE-OR	200	151	81
KG 5144-110-SE-OR	110	151	101
KG 5144-150-SE-OR	150	151	101
KG 5144-200-SE-OR	200	151	101

KG 5200

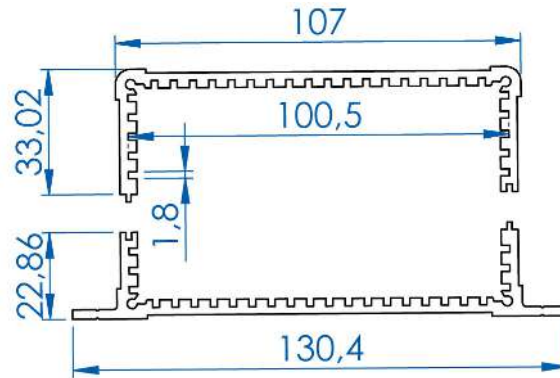
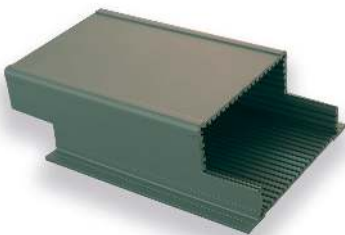
Standard casing for 100mm PCB Card. Height of the insert grooves for PCB card choosable in 5.08mm steps. Four extrusion profiles for individual configuration with matching front and back panel. Delivery including screws.

Customised cuts and machining upon request. Customised prints possible.

We offer anodisation in clear, black and blue color. We also offer plastic corner guards for shock protection and/or for design purposes in colors orange, night-blue, anthrazite, or green.



KG 5210



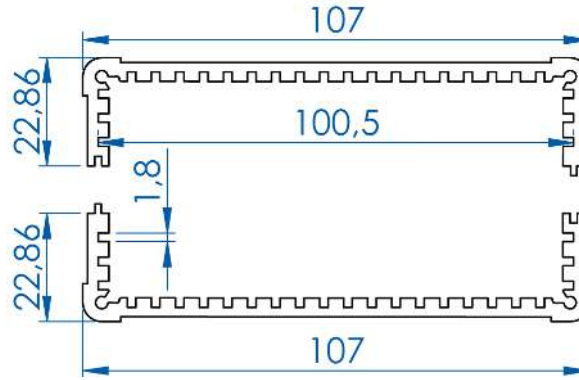
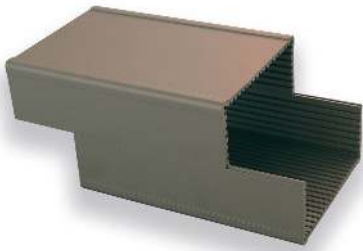
height: [mm]: **56**

upper casing profile: **KG 5204**

lower casing profile: **KG 5202**

article	length [mm]
KG 5210-100-NE	100
KG 5210-120-NE	120
KG 5210-160-NE	160
KG 5210-200-NE	200
KG 5210-220-NE	220
KG 5210-234-NE	234

KG 5220



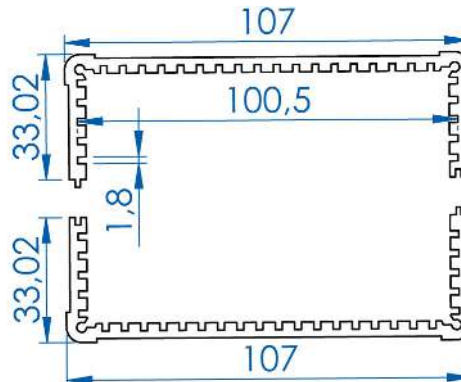
height: [mm]: **46**

upper casing profile: **KG 5203**

lower casing profile: **KG 5203**

article	length [mm]
KG 5220-100-NE	100
KG 5220-120-NE	120
KG 5220-160-NE	160
KG 5220-200-NE	200
KG 5220-220-NE	220
KG 5220-234-NE	234

KG 5230



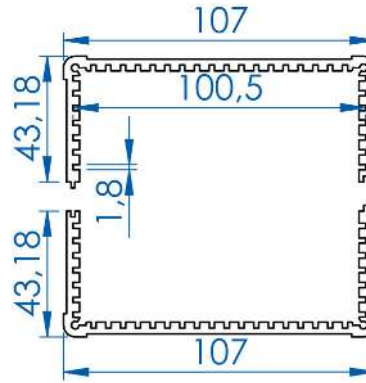
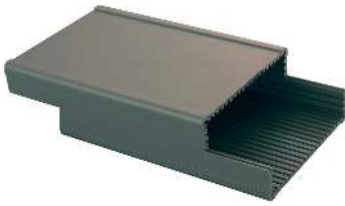
height: [mm]: **66**

upper casing profile: **KG 5204**

lower casing profile: **KG 5204**

article	length [mm]
KG 5230-100-NE	100
KG 5230-120-NE	120
KG 5230-160-NE	160
KG 5230-200-NE	200
KG 5230-220-NE	220
KG 5230-234-NE	234

KG 5240



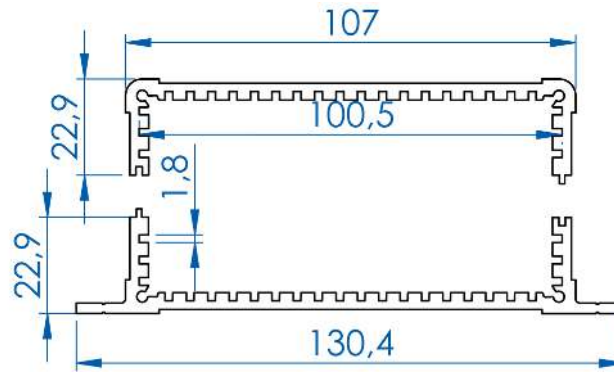
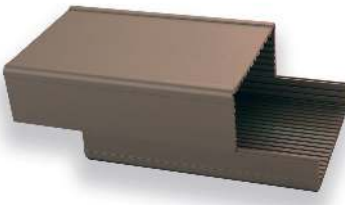
height: [mm]: **86**

upper casing profile: **KG 5201**

lower casing profile: **KG 5201**

article	length [mm]
KG 5240-100-NE	100
KG 5240-120-NE	120
KG 5240-160-NE	160
KG 5240-200-NE	200
KG 5240-220-NE	220
KG 5240-234-NE	234

KG 5250



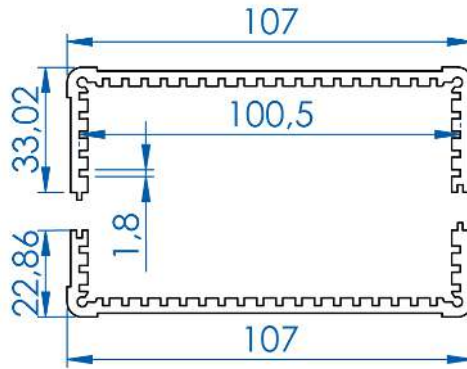
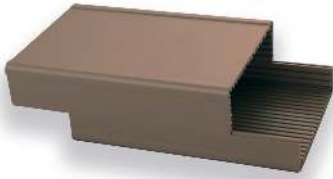
height: [mm]: **46**

upper casing profile: **KG 5203**

lower casing profile: **KG 5202**

article	length [mm]
KG 5250-100-NE	100
KG 5250-120-NE	120
KG 5250-160-NE	160
KG 5250-200-NE	200
KG 5250-220-NE	220
KG 5250-234-NE	234

KG 5260



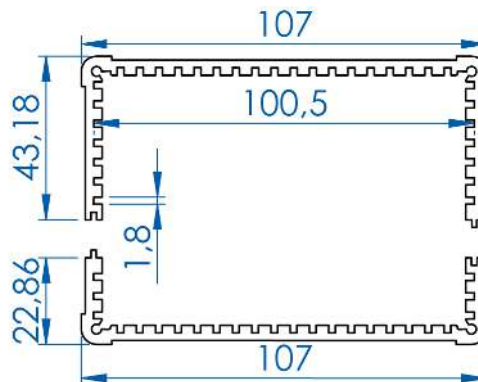
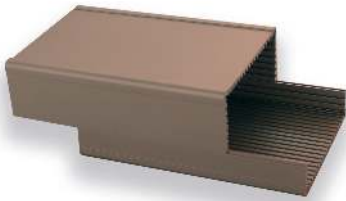
height: [mm]: **56**

upper casing profile: **KG 5203**

lower casing profile: **KG 5204**

article	length [mm]
KG 5260-100-NE	100
KG 5260-120-NE	120
KG 5260-160-NE	160
KG 5260-200-NE	200
KG 5260-220-NE	220
KG 5260-234-NE	234

KG 5270



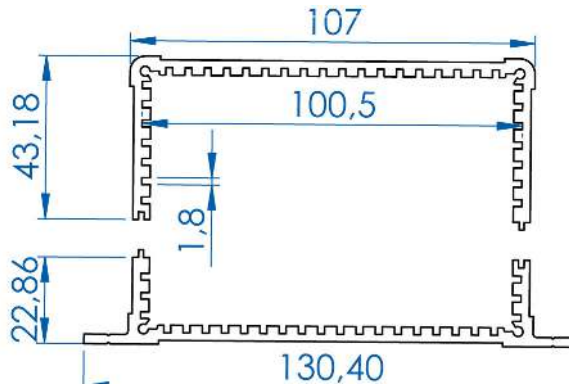
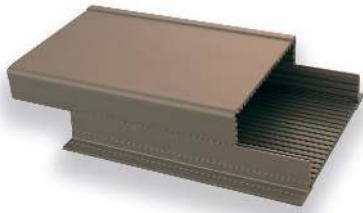
height: [mm]: **66**

upper casing profile: **KG 5203**

lower casing profile: **KG 5201**

article	length [mm]
KG 5270-100-NE	100
KG 5270-120-NE	120
KG 5270-160-NE	160
KG 5270-200-NE	200
KG 5270-220-NE	220
KG 5270-234-NE	234

KG 5280



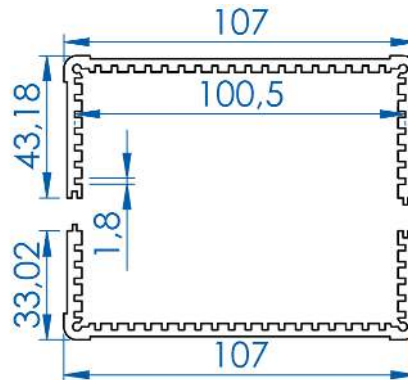
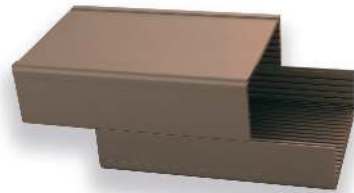
height: [mm]: **66**

upper casing profile: **KG 5201**

lower casing profile: **KG 5202**

article	length [mm]
KG 5280-100-NE	100
KG 5280-120-NE	120
KG 5280-160-NE	160
KG 5280-200-NE	200
KG 5280-220-NE	220
KG 5280-234-NE	234

KG 5290



height: [mm]: **76**

upper casing profile: **KG 5204**

lower casing profile: **KG 5201**

article	length [mm]
KG 4290-100-NE	100
KG 4290-120-NE	120
KG 4290-160-NE	160
KG 4290-200-NE	200
KG 4290-220-NE	220
KG 4290-234-NE	234

KG 5300

The KG5300 series features a top casing with fins to improve passive convection. This series is designed for power adapters, silent pc applications or amplifier components.

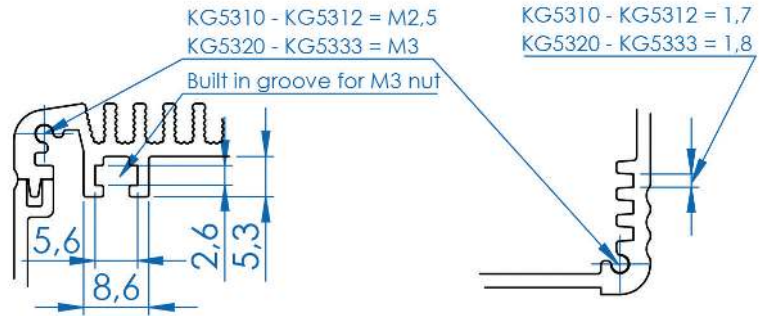
The top casing features grooves for M3 insertable nuts. Grooves on the case sidings can be used to insert PCB cards at a height that ensures a connection between electrical components and the casing top.

To further increase the outside surface of the finned casing top and thereby enhance the heat convection, the fins can be crossed by milled grooves in rectangular direction.

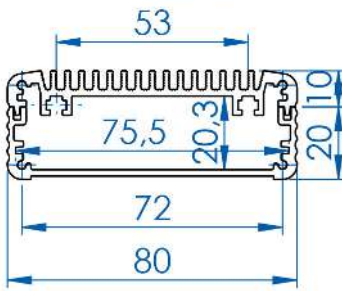
Protection class IP40.

Anodising colors black, clear or blue. M3 insert nuts available.

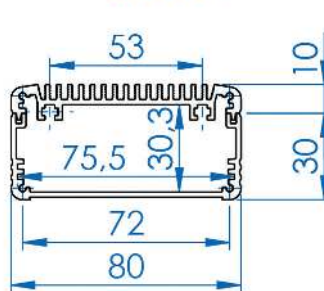
Delivery as assembly kit with front and back panel.



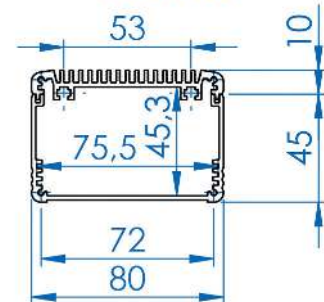
KG5310



KG5311

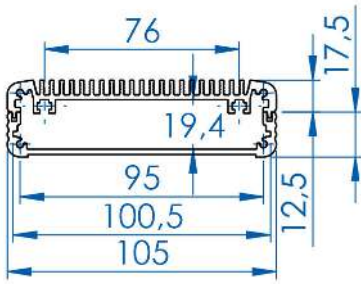


KG5312

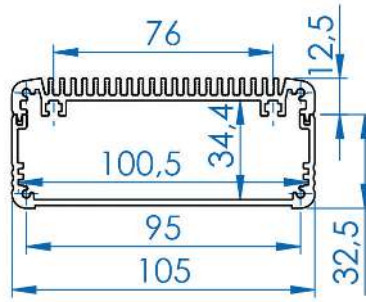


article	Rth [K/W]	length [mm]	width [mm]	height [mm]
KG 5310-60-SE	7.32	60	80.6	30.7
KG 5310-90-SE	5.65	90	80.6	30.7
KG 5310-120-SE	4.72	120	80.6	30.7
KG 5311-60-SE	7.32	60	80.6	40.7
KG 5311-90-SE	5.65	90	80.6	40.7
KG 5311-120-SE	4.72	120	80.6	40.7
KG 5312-60-SE	7.32	60	80.6	55.7
KG 5312-90-SE	5.65	90	80.6	55.7
KG 5312-120-SE	4.72	120	80.6	55.7

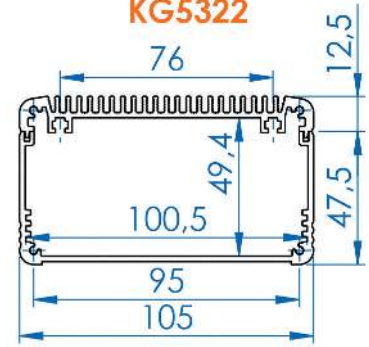
KG5320



KG5321

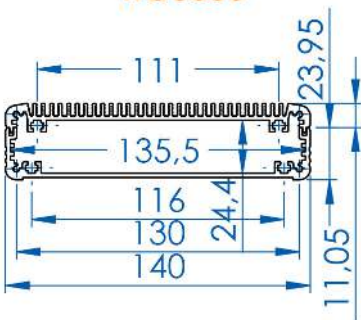


KG5322

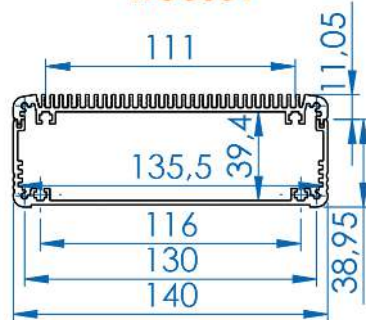


article	Rth [K/W]	length [mm]	width [mm]	height [mm]
KG 5320-78-SE	4.82	78	106	31.1
KG 5320-118-SE	3.72	118	106	31.1
KG 5320-164-SE	3.03	164	106	31.1
KG 5321-78-SE	4.82	78	106	46.1
KG 5321-118-SE	3.72	118	106	46.1
KG 5321-164-SE	3.03	164	106	46.1
KG 5322-118-SE	3.72	118	106	61.1
KG 5322-164-SE	3.03	164	106	61.1
KG 5322-78-SE	4.82	78	106	61.1

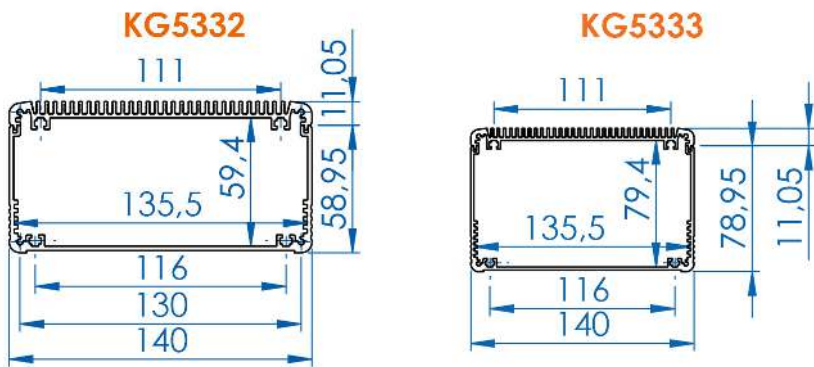
KG5330



KG5331



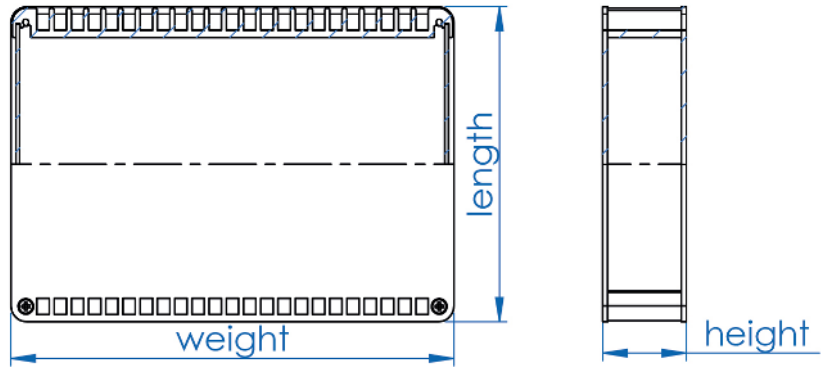
article	Rth [K/W]	length [mm]	width [mm]	height [mm]
KG 5330-97-SE	3.4	97	141	36.1
KG 5330-137-SE	2.75	137	141	36.1
KG 5330-187-SE	2.27	187	141	36.1
KG 5331-97-SE	3.4	97	141	51.1
KG 5331-137-SE	2.75	137	141	51.1
KG 5331-187-SE	2.27	187	141	51.1



article	Rth [K/W]	length [mm]	width [mm]	height [mm]
KG 5332-97-SE	3.4	97	141	71.1
KG 5332-137-SE	2.75	137	141	71.1
KG 5332-187-SE	2.27	187	141	71.1
KG 5333-97-SE	3.4	97	141	91.1
KG 5333-137-SE	2.75	137	141	91.1
KG 5333-187-SE	2.27	187	141	91.1

FG 5100

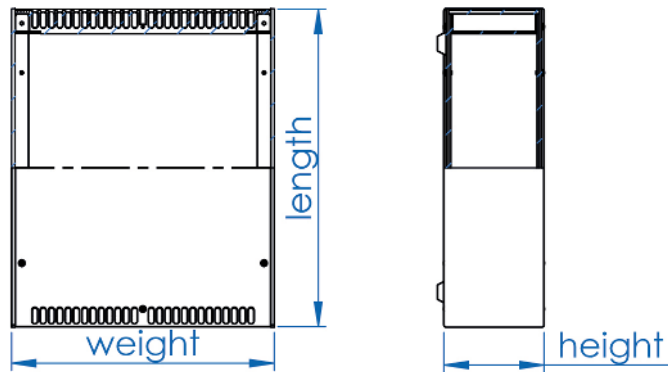
Standard Design Casing FG 5100 with heat sink shaped siding.
Hole pattern on bottom and top sheet is designed to enhance natural airflow through the fins of the siding.
Anodising colors black, clear or blue.
Delivery as assembly kit.



article	Weight [g]	length [mm]	width [mm]	height [mm]
FG 5131SE	183	89	130	20
FG 5132SE	255	89	130	40
FG 5133SE	289	130	130	30
FG 5134SE	370	130	130	50
FG 5135SE	414	180	130	40
FG 5136SE	503	180	130	60
FG 5181SE	411	128	180	30
FG 5182SE	535	128	180	50
FG 5183SE	578	174	180	40
FG 5184SE	719	174	180	60
FG 5185SE	772	228	180	50
FG 5186SE	928	228	180	70

FG 6000

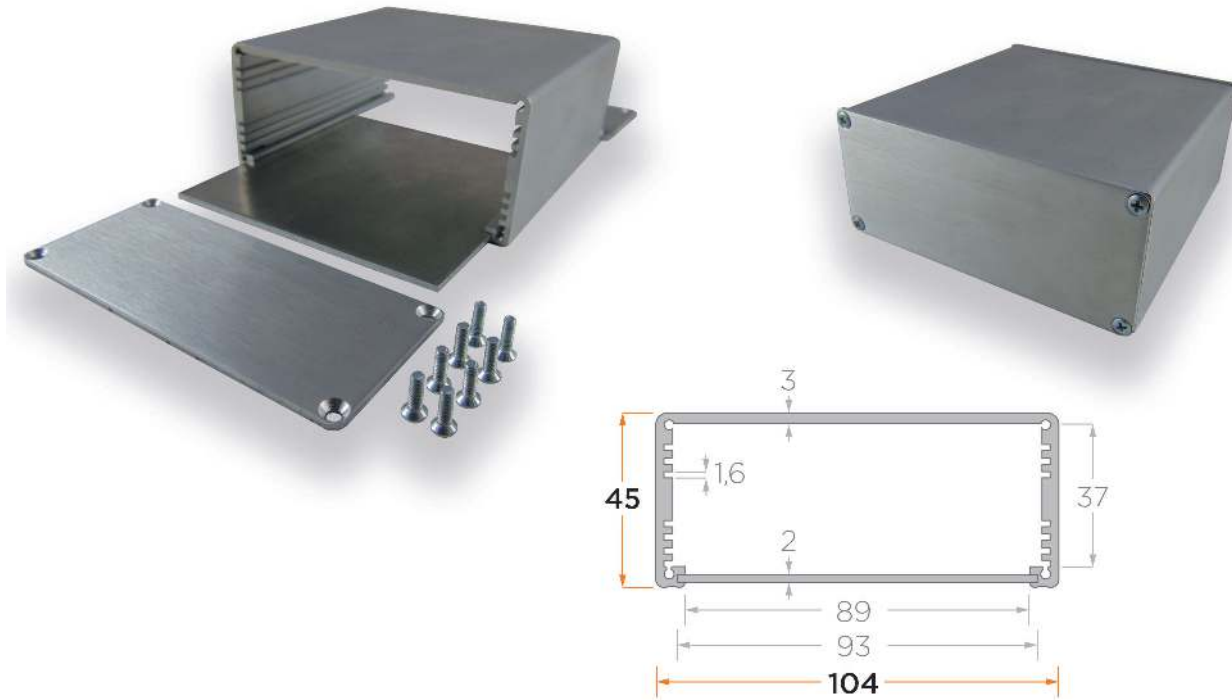
Standard Design Casing FG 6000 with heat sink shaped siding.
Hole pattern on bottom and top sheet is designed to enhance natural airflow through the fins of the siding.
Protection class IP40. Anodising colors black, clear or blue.
Delivery as assembly kit.



article	Weight [g]	Rthk [K/W]	length [mm]	width [mm]	height [mm]
FG 6101-44-NE	1,100	2.41	230	231	44
FG 6102-44-NE	1,600	1.89	230	330	44
FG 6103-44-NE	1,400	2.41	280	231	44
FG 6104-44-NE	1,900	1.89	280	330	44
FG 6105-44-NE	1,500	2.41	330	231	44
FG 6106-44-NE	2,200	1.89	330	330	44
FG 6107-44-NE	1,900	2.41	430	231	44
FG 6108-44-NE	2,600	1.89	430	330	44
FG 6201-70-NE	1,600	1.49	230	231	70
FG 6202-70-NE	2,200	1.36	230	330	70
FG 6203-70-NE	1,800	1.49	280	231	70
FG 6204-70-NE	2,500	1.36	280	330	70
FG 6205-70-NE	2,000	1.49	330	231	70
FG 6206-70-NE	2,800	1.36	330	330	70
FG 6207-70-NE	2,300	1.49	430	231	70
FG 6208-70-NE	3,200	1.36	430	330	70
FG 6301-88-NE	1,900	1.49	230	231	88
FG 6302-88-NE	2,600	1.17	230	330	88
FG 6303-88-NE	2,100	1.49	280	231	88
FG 6304-88-NE	2,800	1.17	280	330	88
FG 6305-88-NE	2,300	1.49	330	231	88
FG 6306-88-NE	3,100	1.17	330	330	88
FG 6307-88-NE	2,700	1.49	430	231	88
FG 6308-88-NE	3,600	1.17	430	330	88
FG 6501-132,5-NE	2,600	1.14	230	231	132.5
FG 6502-132,5-NE	3,400	0.89	230	330	132.5
FG 6503-132,5-NE	2,800	1.14	280	231	132.5
FG 6504-132,5-NE	3,800	0.89	280	330	132.5
FG 6505-132,5-NE	3,000	1.14	330	231	132.5
FG 6506-132,5-NE	4,100	0.89	330	330	132.5
FG 6507-132,5-NE	3,500	1.14	430	231	132.5
FG 6508-132,5-NE	4,700	0.89	430	330	132.5
FG 6701-177-NE	3,400	0.95	230	231	177
FG 6702-177-NE	4,500	0.74	230	330	177
FG 6703-177-NE	3,600	0.95	280	231	177
FG 6704-177-NE	4,800	0.74	280	330	177
FG 6705-177-NE	3,900	0.95	330	231	177
FG 6706-177-NE	5,200	0.74	330	330	177
FG 6707-177-NE	4,500	0.95	430	231	177
FG 6708-177-NE	5,800	0.74	430	330	177

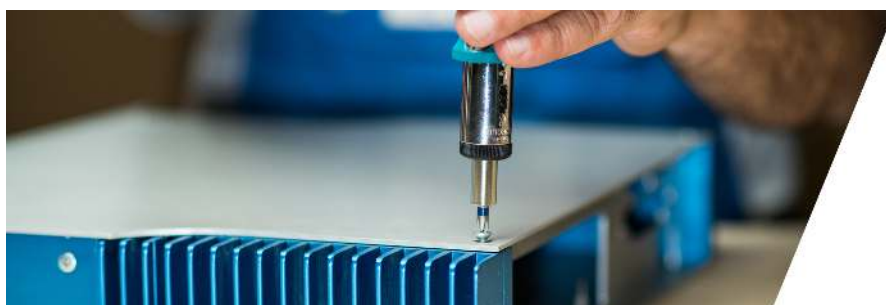
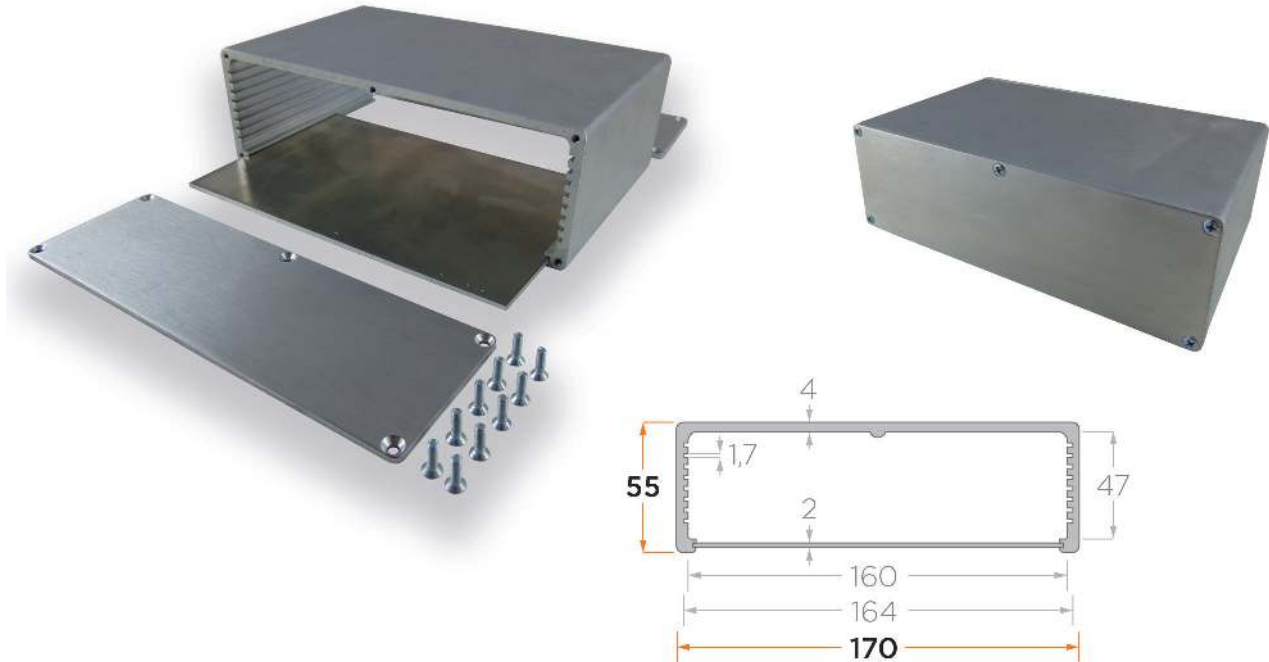
Shell Casing SG 3400

- Robust shell housing made from AlMgSi 0.5 F 22 with slide-in base (or cover)
- Side wall with integrated guiding grooves
- For holding non-standard components or Euro pcb boards
- With integrated core holes for threaded bore holes \varnothing 2,5 mm
- On request with M3 thread for compatible front plates and installation materials
- Supplied as disassembled kit
- Special dimensions, machining and surfaces on request



Shell Casing SG 3500

- Robust shell housing made from AlMgSi 0.5 F 22 with slide-in base (or cover)
- Side wall with integrated guiding grooves
- For holding non-standard components or Euro pcb boards
- On request with M3 thread for compatible front plates and installation materials
- Supplied as disassembled kit
- Special dimensions, machining and surfaces on request

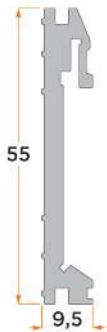


Alutronic offers complete sub-assemblies such as casings!

Rail Mounting SB35

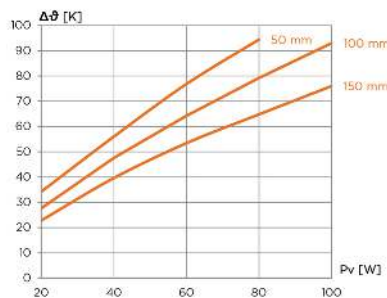
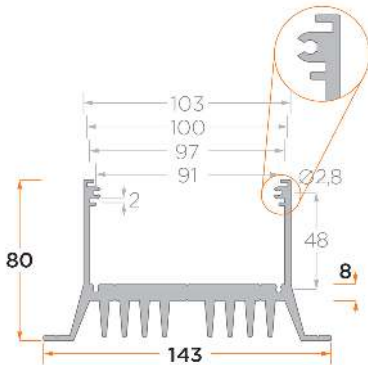
Universal clamp fixture compatible for all 35 mm DIN mounting rails

- Quick and easy installation of heat sinks and housings by snapping on the DIN mounting rail
- Secure hold by robust extruded profile with integrated wire-shaped spring made of stainless steel
- Any lengths as well as fixing bore holes as required by the customer (Length of fixing clamps up to 41 mm)



PR 250

- Housing heat sink with integrated cooling fins
- With standing or fixing feet on the side
- With slide-in grooves for cover plate or printed circuit boards (e.g Euro pcb boards)
- Integrated core holes for threaded bore holes for fixing front plates
- Special dimensions, machining and surfaces on request

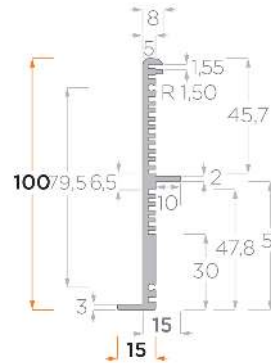


Pv [W]	RthK [K/W]		
20	1,71	1,38	1,14
40	1,4	1,19	0,99
60	1,28	1,07	0,89
80	1,18	0,99	0,81
100		0,93	0,76
mm	50	100	150
g	390	530	790

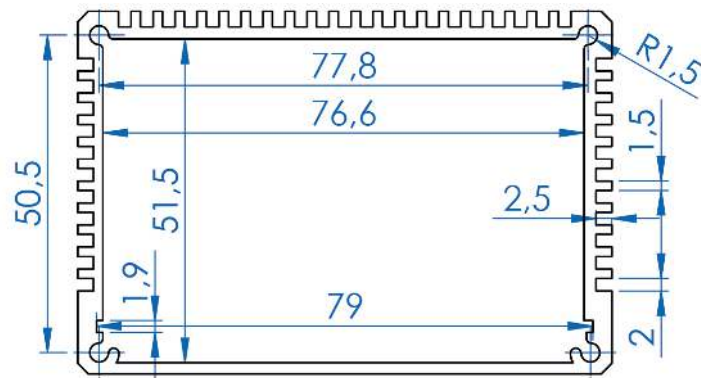
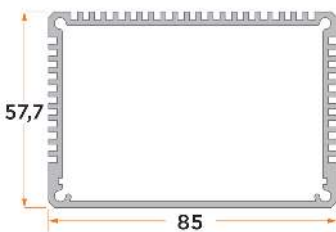
Universal Side Profile UP 285

Universal side profile made from aluminium e.g. for construction of a heat dissipating housing with cooling profiles. Especially with flatback profiles, cooling housings of any desired width and length can be constructed.

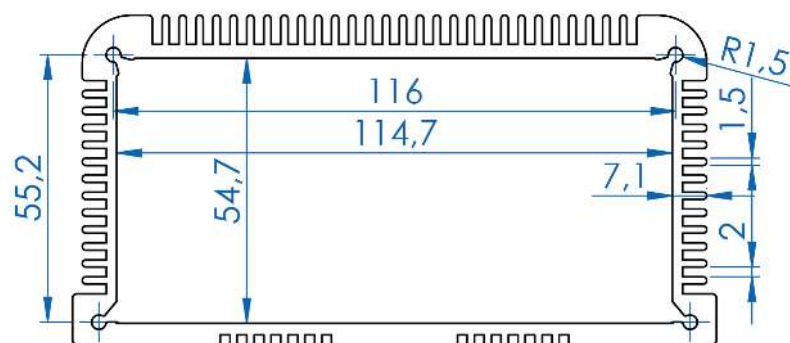
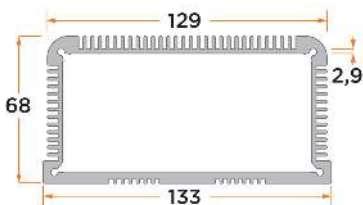
- Slide-in grooves for printed circuit boards of different thickness
- Screw channels for self-tapping screws for fixing front plates
- Particularly suitable for small quantities
- Fixing to the heat sink with the help of internal bridge (not visible) or on the side at any position of the side profile
- Special dimensions, machining and surfaces on request



PR 500



PR 502



type	page	type	page	type	page	type	page
E		FG 5183SE	21	KG 5021-120-NE	10	KG 5133-90-SE-OR	12
EG 1,0HE01NE	5	FG 5184SE	21	KG 5021-200-NE	10	KG 5133-130-SE-OR	12
EG 1,0HE02NE	5	FG 5185SE	21	KG 5033-60-NE	10	KG 5133-176-SE-OR	12
EG 1,0HE03NE	5	FG 5186SE	21	KG 5033-120-NE	10	KG 5141-110-SE-OR	12
EG 1,0HE04NE	6	FG 6101-44-NE	22	KG 5033-200-NE	10	KG 5141-150-SE-OR	12
EG 1,0HE05NE	6	FG 6102-44-NE	22	KG 5044-60-NE	10	KG 5141-200-SE-OR	12
EG 1,0HE06NE	6	FG 6103-44-NE	22	KG 5044-120-NE	10	KG 5142-110-SE-OR	12
EG 1,0HE07NE	6	FG 6104-44-NE	22	KG 5044-200-NE	10	KG 5142-150-SE-OR	12
EG 1,0HE08NE	6	FG 6105-44-NE	22	KG 5055-60-NE	10	KG 5142-200-SE-OR	12
EG 1,0HE09NE	6	FG 6106-44-NE	22	KG 5055-120-NE	10	KG 5143-110-SE-OR	12
EG 1,0HE10NE	6	FG 6107-44-NE	22	KG 5055-200-NE	10	KG 5143-150-SE-OR	12
EG 1,0HE11NE	6	FG 6108-44-NE	22	KG 5066-60-NE	10	KG 5143-200-SE-OR	12
EG 1,5HE01NE	5	FG 6201-70-NE	22	KG 5066-120-NE	10	KG 5144-110-SE-OR	12
EG 1,5HE02NE	5	FG 6202-70-NE	22	KG 5066-200-NE	10	KG 5144-150-SE-OR	12
EG 1,5HE03NE	5	FG 6203-70-NE	22	KG 5088-60-NE	10	KG 5144-200-SE-OR	12
EG 1,5HE04NE	6	FG 6204-70-NE	22	KG 5088-120-NE	10	KG 5210-100-NE	13
EG 1,5HE05NE	6	FG 6205-70-NE	22	KG 5088-200-NE	10	KG 5210-120-NE	13
EG 1,5HE06NE	6	FG 6206-70-NE	22	KG 5111-60-SE-OR	12	KG 5210-160-NE	13
EG 1,5HE07NE	6	FG 6207-70-NE	22	KG 5111-87-SE-OR	12	KG 5210-200-NE	13
EG 1,5HE08NE	6	FG 6208-70-NE	22	KG 5111-110-SE-OR	12	KG 5210-220-NE	13
EG 1,5HE09NE	6	FG 6301-88-NE	22	KG 5112-60-SE-OR	12	KG 5210-234-NE	13
EG 1,5HE10NE	6	FG 6302-88-NE	22	KG 5112-87-SE-OR	12	KG 5220-100-NE	14
EG 1,5HE11NE	6	FG 6303-88-NE	22	KG 5112-110-SE-OR	12	KG 5220-120-NE	14
EG 2,0HE01NE	5	FG 6304-88-NE	22	KG 5113-60-SE-OR	12	KG 5220-160-NE	14
EG 2,0HE02NE	5	FG 6305-88-NE	22	KG 5113-87-SE-OR	12	KG 5220-200-NE	14
EG 2,0HE03NE	5	FG 6306-88-NE	22	KG 5113-110-SE-OR	12	KG 5220-220-NE	14
EG 2,0HE04NE	6	FG 6307-88-NE	22	KG 5121-70-SE-OR	12	KG 5220-234-NE	14
EG 2,0HE05NE	6	FG 6308-88-NE	22	KG 5121-100-SE-OR	12	KG 5230-100-NE	14
EG 2,0HE06NE	6	FG 6501-132,5-NE	22	KG 5121-130-SE-OR	12	KG 5230-120-NE	14
EG 2,0HE07NE	6	FG 6502-132,5-NE	22	KG 5122-70-SE-OR	12	KG 5230-160-NE	14
EG 2,0HE08NE	6	FG 6503-132,5-NE	22	KG 5122-100-SE-OR	12	KG 5230-200-NE	14
EG 2,0HE09NE	6	FG 6504-132,5-NE	22	KG 5122-130-SE-OR	12	KG 5230-220-NE	14
EG 2,0HE10NE	6	FG 6505-132,5-NE	22	KG 5123-70-SE-OR	12	KG 5230-234-NE	14
EG 2,0HE11NE	6	FG 6506-132,5-NE	22	KG 5123-100-SE-OR	12	KG 5240-100-NE	15
EG 3,0HE01NE	5	FG 6507-132,5-NE	22	KG 5123-110-SE-OR	12	KG 5240-120-NE	15
EG 3,0HE02NE	5	FG 6508-132,5-NE	22	KG 5123-130-SE-OR	12	KG 5240-160-NE	15
EG 3,0HE03NE	5	FG 6701-177-NE	22	KG 5131-90-SE-OR	12	KG 5240-200-NE	15
EG 3,0HE04NE	6	FG 6702-177-NE	22	KG 5131-130-SE-OR	12	KG 5240-220-NE	15
EG 3,0HE05NE	6	FG 6703-177-NE	22	KG 5131-176-SE-OR	12	KG 5240-234-NE	15
EG 3,0HE06NE	6	FG 6704-177-NE	22	KG 5132-90-SE-OR	12	KG 5250-100-NE	15
EG 3,0HE07NE	6	FG 6705-177-NE	22	KG 5132-130-SE-OR	12		
EG 3,0HE08NE	6	FG 6706-177-NE	22	KG 5132-176-SE-OR	12		
EG 3,0HE09NE	6	FG 6707-177-NE	22				
EG 3,0HE10NE	6	FG 6708-177-NE	22				
EG 3,0HE11NE	6						
F		H					
FG 5131SE	21	Heat Sink Casing	4				
FG 5132SE	21	K					
FG 5133SE	21	KG 4290-100-NE	17				
FG 5134SE	21	KG 4290-120-NE	17				
FG 5135SE	21	KG 4290-160-NE	17				
FG 5136SE	21	KG 4290-200-NE	17				
FG 5181SE	21	KG 4290-220-NE	17				
FG 5182SE	21	KG 4290-234-NE	17				
		KG 5021-60-NE	10				

type	page	type	page
KG 5250-120-NE	15	P	
KG 5250-160-NE	15	PR 250	25
KG 5250-200-NE	15	PR 500	26
KG 5250-220-NE	15	PR 502	26
KG 5250-234-NE	15	S	
KG 5260-100-NE	16	SB35	25
KG 5260-120-NE	16	SG 3400	23
KG 5260-160-NE	16	SG 3500	24
KG 5260-200-NE	16	U	
KG 5260-220-NE	16	UP 285	26
KG 5260-234-NE	16		
KG 5270-100-NE	16		
KG 5270-120-NE	16		
KG 5270-160-NE	16		
KG 5270-200-NE	16		
KG 5270-220-NE	16		
KG 5270-234-NE	16		
KG 5280-100-NE	17		
KG 5280-120-NE	17		
KG 5280-160-NE	17		
KG 5280-200-NE	17		
KG 5280-220-NE	17		
KG 5280-234-NE	17		
KG 5310-60-SE	18		
KG 5310-90-SE	18		
KG 5310-120-SE	18		
KG 5311-60-SE	18		
KG 5311-90-SE	18		
KG 5311-120-SE	18		
KG 5312-60-SE	18		
KG 5312-90-SE	18		
KG 5312-120-SE	18		
KG 5320-78-SE	19		
KG 5320-118-SE	19		
KG 5320-164-SE	19		
KG 5321-78-SE	19		
KG 5321-118-SE	19		
KG 5321-164-SE	19		
KG 5322-78-SE	19		
KG 5322-118-SE	19		
KG 5322-164-SE	19		
KG 5330-97-SE	19		
KG 5330-137-SE	19		
KG 5330-187-SE	19		
KG 5331-97-SE	19		
KG 5331-137-SE	19		
KG 5331-187-SE	19		
KG 5332-97-SE	20		
KG 5332-137-SE	20		
KG 5332-187-SE	20		
KG 5333-97-SE	20		
KG 5333-137-SE	20		
KG 5333-187-SE	20		