

1

2

3

4

A

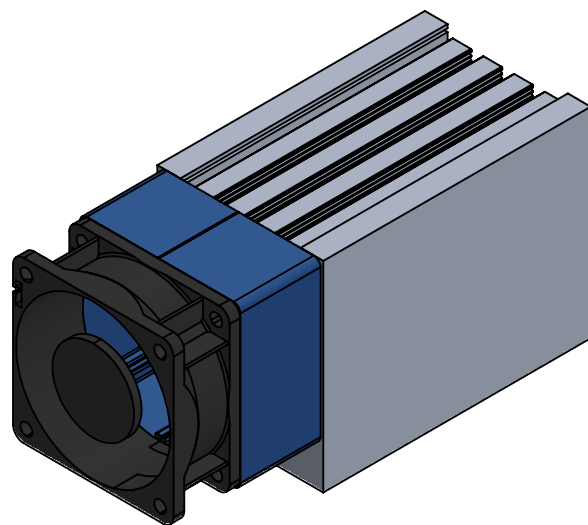
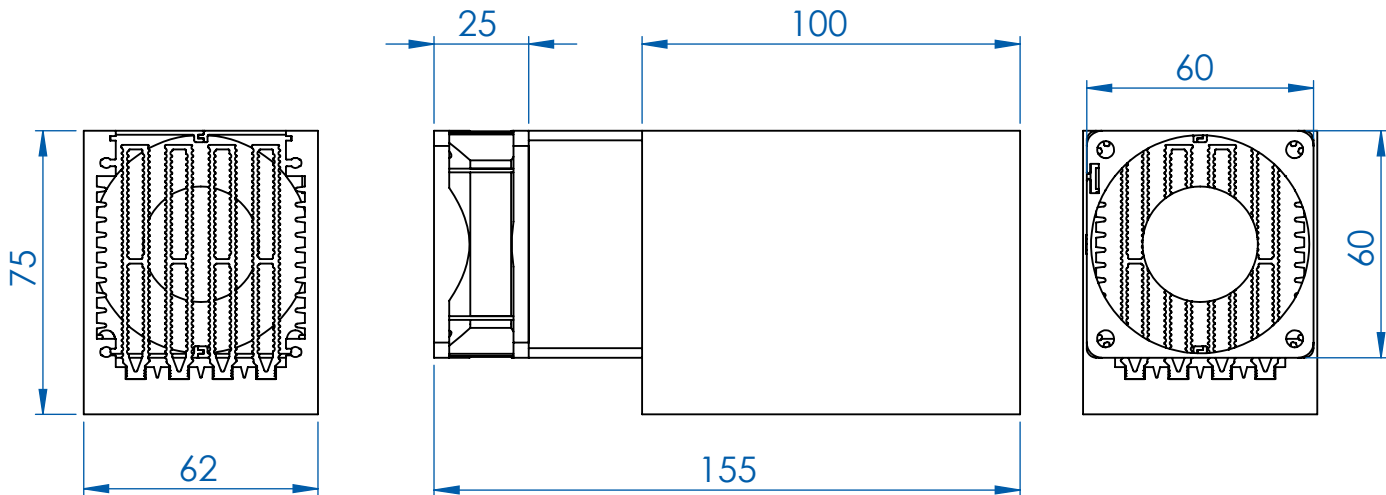
B

C

D

E

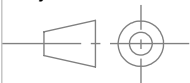
F



IF NOT OTHERWISE DEFINED:  
DIMENSIONS ARE IN MILLIMETERS  
SURFACE CONDITIONS:

TOLERANCES: **DIN ISO 2768-m**

Projection methods



Surface

Scale: 1:2

Weight:

MATERIAL: EN AW-6060 (AlMgSi0,5)

	Date	Name
drawn	04.03.2024	BS35
checked		
approved		

Title:

PK715\_100\_AL\_D

Drawing No.:

PK715\_100\_AL\_D

Page

1 (A4)

1 von 1

**ALUTRONIC**  
SOLUTIONS FOR COOL RESULTS

Agree    Revision    Date    Name

replaces:

replaced by: