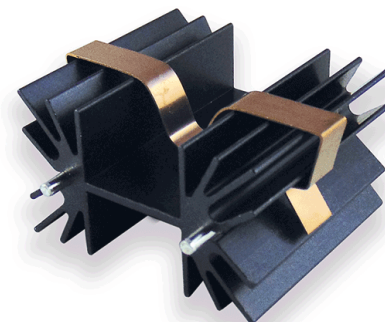


Product Data Sheet Type: PR33/38,1/MC

Group: HEATSINKS Board Level

For single mounting

Width :	42 mm
Height :	38.1 mm
Length :	25 mm
Minimum thermal resistance :	5 K/W
For device :	TO 220 TO 218 TOP 3
Device mounted by :	Clip Mounting
Heatsink mounted by :	Solder
Surface :	Black Anodised
Material :	AlMgSi0,5



- Special extruded heatsink for semiconductor case TO220, TO218(TOP3)
- Aluminium, anodised black, solderable
- Standard heights: 25.4, 38.1, 50.8 and 63.5 mm
- Version MC (Mounting clip) for clip mounting of semiconductor.
- Heatsink solderable by tin plated solder pins

