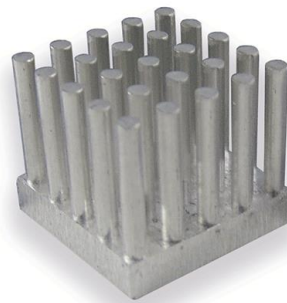


Product Data Sheet Type: PO17-17-15-AL

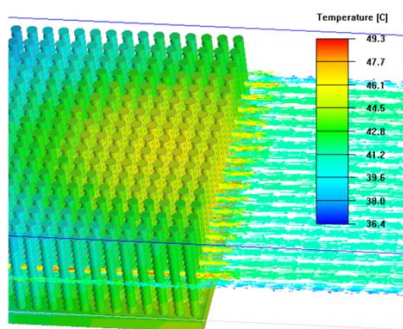
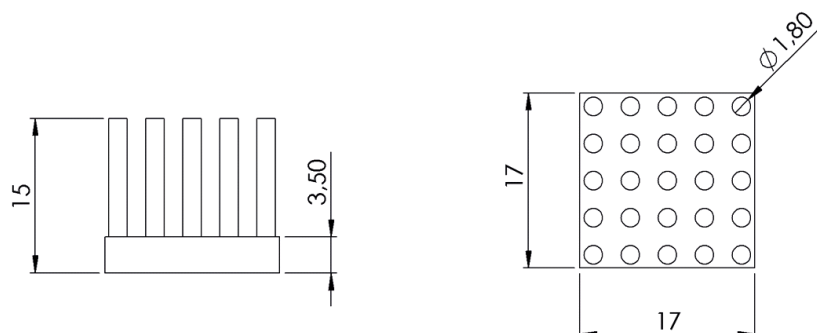
Group: POWERBLOCS Pin Heat Sink

Powerblocs square

Width :	17 mm
Height :	15 mm
Length :	17 mm
Base height :	3.5 mm
Capacity for power dissipation :	5 W
Minimum thermal resistance :	6,5 K/W
Weight :	4,8 g
Surface :	Blank Aluminium
Material :	Al99,5



- 25 Pins
- Rthk value: 30 k/W (for 1,8W passive); 6,5 k/W (for 5W fan on side with 1m/s); 7,22 k/W (for 5W fan on top with 2m/s)
- Detailed thermal report on request
- Design optimised for passive and active convection
- Mechanical processing upon request
- Fitting thermal interface material available (also preassembled)
- Fitting fans available (also preassembled)
- Surface refinement: anodising, chromating
- Optimal heatdissipation from baseplate to pins
- Customised modifications and/or design upon request; (<mailto:info@alutronic.com>)



Thermische Leistungswerte bitte anfragen:
For thermal parameters please contact us:
info@alutronic.de