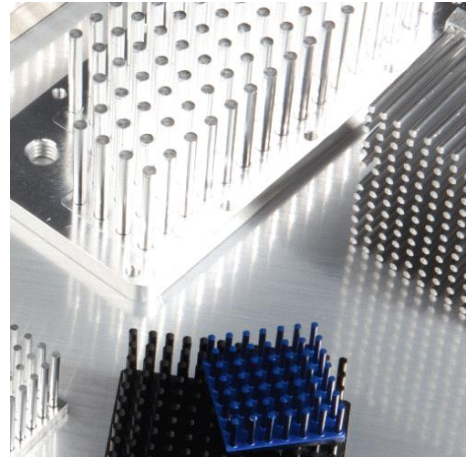


Product Data Sheet Type: PO130-100-35-AL-1

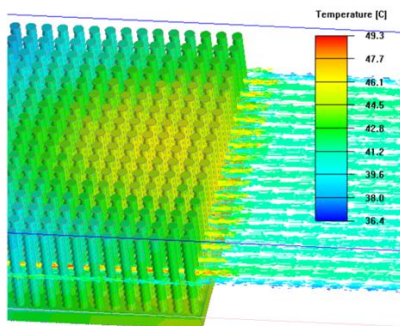
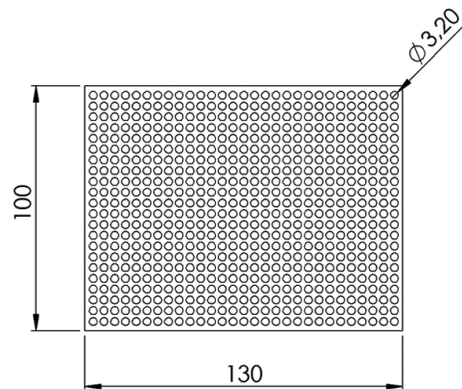
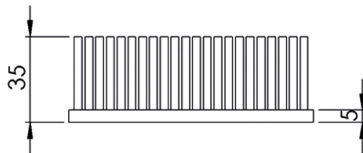
Group: POWERBLOCS Pin Heat Sink

Powerblocs square

Width :	130 mm
Height :	35 mm
Length :	100 mm
Base height :	5 mm
Capacity for power dissipation :	250 W
Minimum thermal resistance :	0,2 K/W
Surface :	Blank Aluminium
Material :	Al99,5



- 638 Pins
- Rthk value: 1,55 k/W (for 38W passive); 0,2 k/W (for 250W fan on side with 2m/s); 0,3 k/W (for 200W fan on top with 2m/s)
- Detailed thermal report on request
- Design optimised for passive and active convection
- Mechanical processing upon request
- Fitting thermal interface material available (also preassembled)
- Fitting fans available (also preassembled)
- Surface refinement: anodising, chromating
- Optimal heatdissipation from baseplate to pins
- Customised modifications and/or design upon request; (<mailto:info@alutronic.com>)



Thermische Leistungswerte bitte anfragen:
For thermal parameters please contact us:
info@alutronic.de