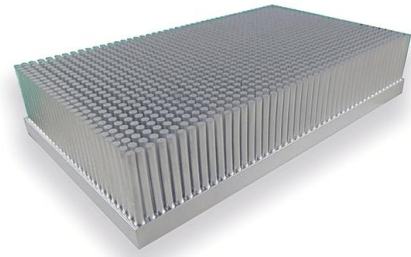


# Product Data Sheet Type: PO200-120-40-AL-1

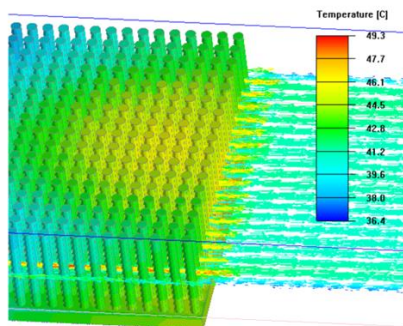
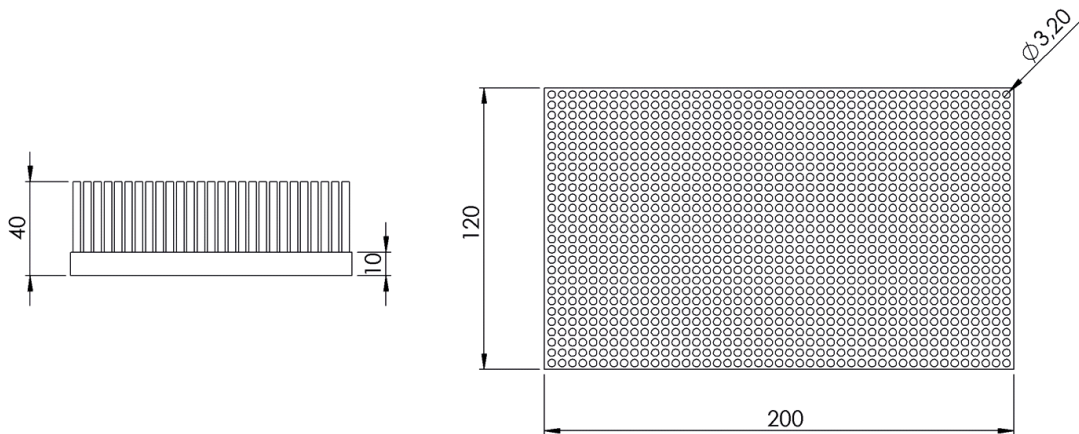
Group: POWERBLOCS Pin Heat Sink

Powerblocs square

Width :	200 mm
Height :	40 mm
Length :	120 mm
Base height :	10 mm
Capacity for power dissipation :	550 W
Minimum thermal resistance :	0,9 K/W
Weight :	1,6kg
Surface :	Blank Aluminium
Material :	Al99,5



- 1215 Pins
- Rthk value: 0,9 k/W (for 60W passive); 0,12k/W (for 550W fan on side with 2m/s); 0,16k/W (for 360W fan on top with 2m/s)
- Detailed thermal report on request
- Design optimised for passive and active convection
- Mechanical processing upon request
- Fitting thermal interface material available (also preassembled)
- Fitting fans available (also preassembled)
- Surface refinement: anodising, chromating
- Optimal heatdissipation from baseplate to pins
- Customised modifications and/or design upon request; ( <mailto:info@alutronic.com> )



Thermische Leistungswerte bitte anfragen:  
For thermal parameters please contact us:  
[info@alutronic.de](mailto:info@alutronic.de)