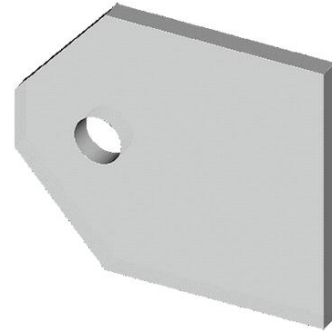


Product Data Sheet Type: AO471

Group: ACCESSORIES Thermal Interface Material

Aluminium - oxide washers

Electrical insulating :	10 kV
Thickness :	1,5
Dielectriccoefficient :	9,1 bei 1 MHz
Minimum thermal resistance :	0,5 K/W
For device :	TO 218 TOP 3
Device mounted by :	Screw
Material :	Alumnium Oxyde



Aluminium-oxide -wafers facilitate insulated mounting of semiconductors within high voltage ranges.

In spite of high dielectric strength, a good heat conductivity i.e. from the semiconductor to the heatsink is given.

- Dielectric strength: ca. 10 KV/mm
- Dielectric loss tangent: 10^{-4} (for 1MHz)
- Dielectric constant: 9,1 (for 1 MHz)
- Resistance: 10^{14} Ohm x cm
- Density: 3,9 g / cm³
- Purity: 96 %
- Thermal resistance (Rth): 0,5 K/W (TO3)

