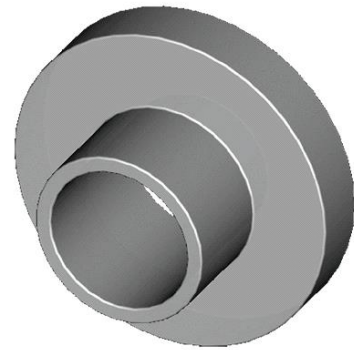


Product Data Sheet Type: IS570

Group: ACCESSORIES Thermal Interface Material

Insulation bushings

| | |
|--------------------------|--------------------------|
| Temperature resistance : | 130 °C |
| Electrical insulating : | 30 kV |
| Thickness : | 0,35 |
| Inner diameter : | 3.1 |
| Outer diameter : | 3.8 |
| Diameter : | 7.1 |
| For device : | TO220 TO218 (TOP3) Multi |
| Device mounted by : | Screw |
| Material : | Makrolone |



Insulating bush in combination with insulating wafers from mica or silicone foil facilitate insulated mounting of semiconductors to heat sinks or other components

