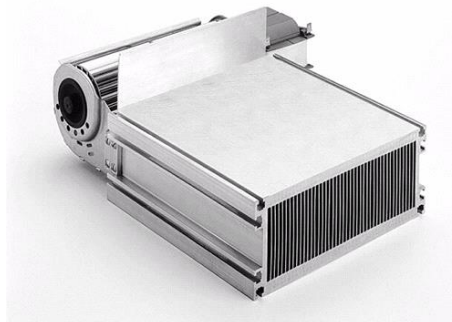


Product Data Sheet Type: LK40/200/O

Group: HEATSINKS Active Elements

Lamella cooled units

Width : 210 mm
Height : 130 mm
Length : 310 mm



Cooling units for high power serie LK have been developed for forced cooling with reasonable fans.

Caused by new lamella design now an optimal relation of the material to distributed load performance is possible; independent of the technical limits for extrusions.

For mounting semiconductors modules there are two mounting surfaces.

The technical data refer to one flat milled surface by distributed load and free blowing operation.

For double side device mounting the other side can also be milled flat.

For corrosion protection all aluminium elements are chromated (RoHS-conformm).

Height and breadth of the lamella cooled units are in accordance to the commercial fans.

The length can be varried in the limit given by the air volume of the fan.

The shown standard versions have been optimated by computer calculations with the fan data.

Special design, adapted to your construction data, is possible.

Test samples can be made in short time. Also a computer supported calculation is possible by an adequate requirement.

Technical data:

- The fan is only available in 220V
- Dissipated power PV at $D J = 40 K$: 625 W
- Maximum thermal resistance $R_{th \max.}$: 0,064 K/W
- Minimum thermal resistance $R_{th \min.}$: 0,044 K/W

