

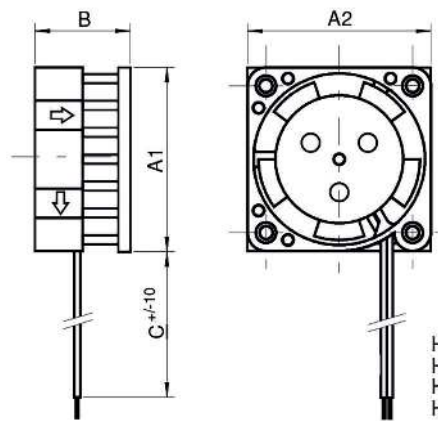
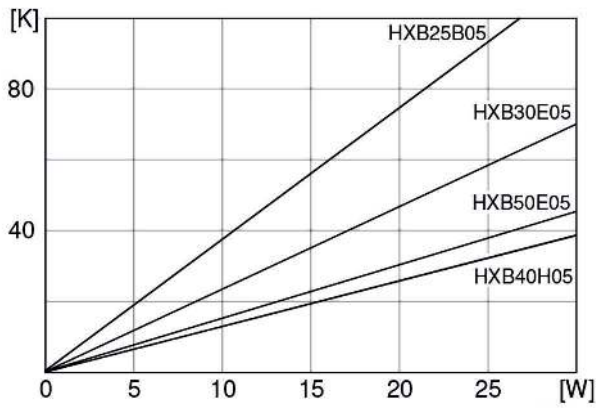
### **ALUTRONIC heat sink and SEPA Fan**

From the fusion of ALUTRONIC heat sinks and SEPA fans the HXB models have been created. A combination, with which the fan distributes air through the heat sink for optimal cooling.

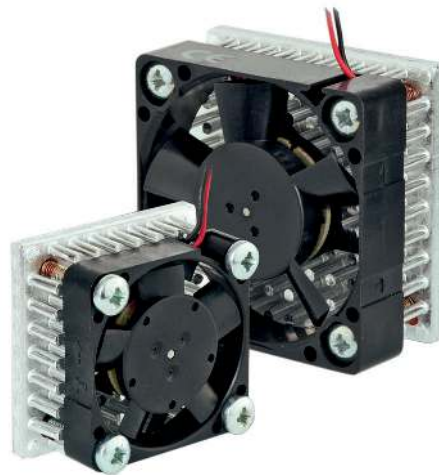
The coolers of the latest generation achieve a high flow rate with very low values of power consumption. As a result of the computer-supported development of the wing geometry, even the noise development has been optimised, and thus, the noise generated by a typical rotor speed of  $11,000 \text{ rpm}^{-1}$  is very quiet with a sound level of 21 dB(A) (e.g. HXB25B12).

Another plus point is the long service life of 70,000 / 350,000 hours ( $L_{10}$  / MTBF at  $40^\circ\text{C}$ ). Moreover, the chip coolers have an electronically commuted motor whose motor winding is switched by a special IC.

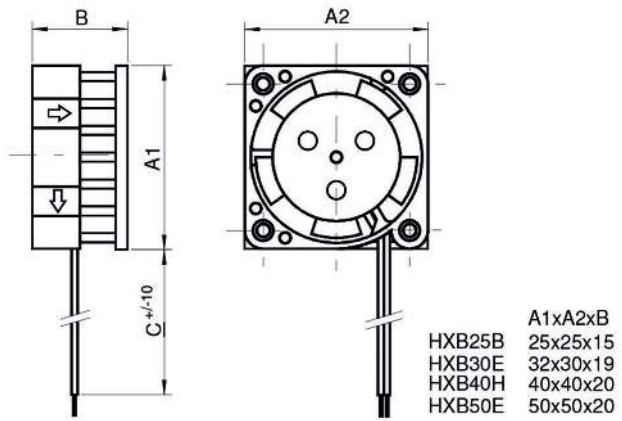
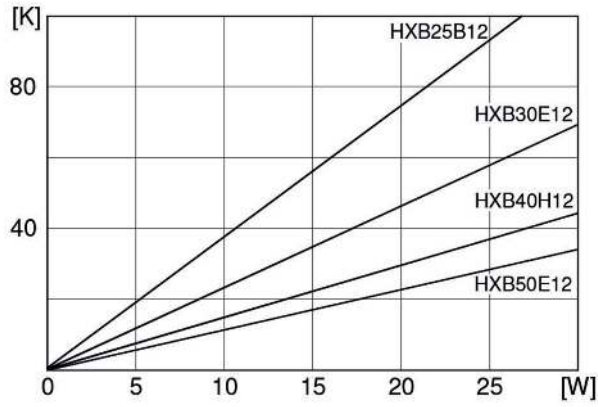
By a selection of suitable electronic components and high-quality ball bearings, the reliability of the fans is achieved at operating temperatures between  $-10$  and  $+80^\circ\text{C}$ .



	A1xA2xB
HXB25B	25x25x15
HXB30E	32x32x19
HXB40H	40x40x20
HXB50E	50x50x20



ARTICLE NAME		HXB25B05	HXB30E05	HXB40H05	HXB50E05
Operating voltage	[VDC]	4.5 ... 5 ... 5.5			
Typ. operating current	[mA]	40	90	90	50
Max. starts current	[mA]	120	130	250	120
Typ. thermal resistance	[K/W]	3,9	2,4	1,3	1,5
Typ. noise (1m dist. from air intake s.)	[dB(A)]	20	21	30	19
Typ. rotor speed	[RPM]	10000	8600	5800	3500
FG (...A)	[PPR]	3	3	2	2
Operating temperature	[°C]	-10 to +80			
Life expectancy L10/MTBF@ 40°C	[h]	70.000/350.000			
Bearing system		2 Ball bearings ZZ			
Weight	[g]	11	23	37	55



ARTICLE NAME		HXB25B12	HXB30E12	HXB40H12	HXB50E12
Operating voltage	[VDC]		10.2 ... 12 ... 13.8		
Typ. operating current	[mA]	30	30	60	60
Max. starts current	[mA]	80	70	90	140
Typ. thermal resistance	[K/W]	3,8	2,5	1,4	1,2
Typ. noise (1m dist. from air intake s.)	[dB(A)]	21	22	25	25
Typ. rotor speed	[RPM]	11000	9000	5500	4800
FG (...A)	[PPR]	3	3	2	2
Operating temperature	[°C]	-10 to +80			
Life expectancy L10/MTBF@ 40°C	[h]	70.000/350.000			
Bearing system		2 Ball bearings ZZ			
Weight	[g]	11	23	37	55