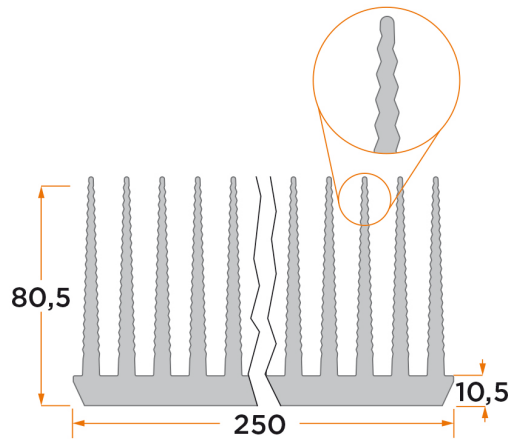


## Product features PR 380

|                          |                 |
|--------------------------|-----------------|
| Finish                   | Blank Aluminium |
| Material                 | AlMgSi0,5       |
| Width [mm]:              | 250.0           |
| Height [mm]:             | 80.5            |
| Base height [mm]:        | 10.5            |
| Alloy                    | AlMgSi 0,5 F22  |
| Weight per meter [kg/m]: | 21.34           |



## Further information

Extruded heat sink profile with fins on one side (ridged profil)  
 Surface: AL= Untreated aluminium, SE= anodised black, NE= anodised colourless, CR Chromated- colourless (Chrom6-free, RoHS conform) Alloy: AlMgSi 0,5 F22 Standard tolerances (if not otherwise required): Extrusion tolerances for aluminium profiles: DIN 1748 – section 4 and DIN 17615 – section 3 respectively. DIN ISO 755 - 9 and DIN ISO 12020 - 2 respectively. Machining tolerance: DIN 2768 m Finishing to your specification Length, milling, surface refinement, including mounting-, insulation-, thermal interface accessories

## Thermal performance

| PV [W]              | RthK [K/W]   |              |              |
|---------------------|--------------|--------------|--------------|
|                     | 100.0        | 200.0        | 300.0        |
| 10.0                | 0.69         | 0.53         | 0.45         |
| 70.0                | 0.44         | 0.32         | 0.28         |
| 120.0               | 0.4          | 0.3          | 0.26         |
| 180.0               | 0.36         | 0.26         | 0.22         |
| 230.0               | 0.34         | 0.24         | 0.2          |
| <b>Length in mm</b> | <b>100.0</b> | <b>200.0</b> | <b>300.0</b> |

